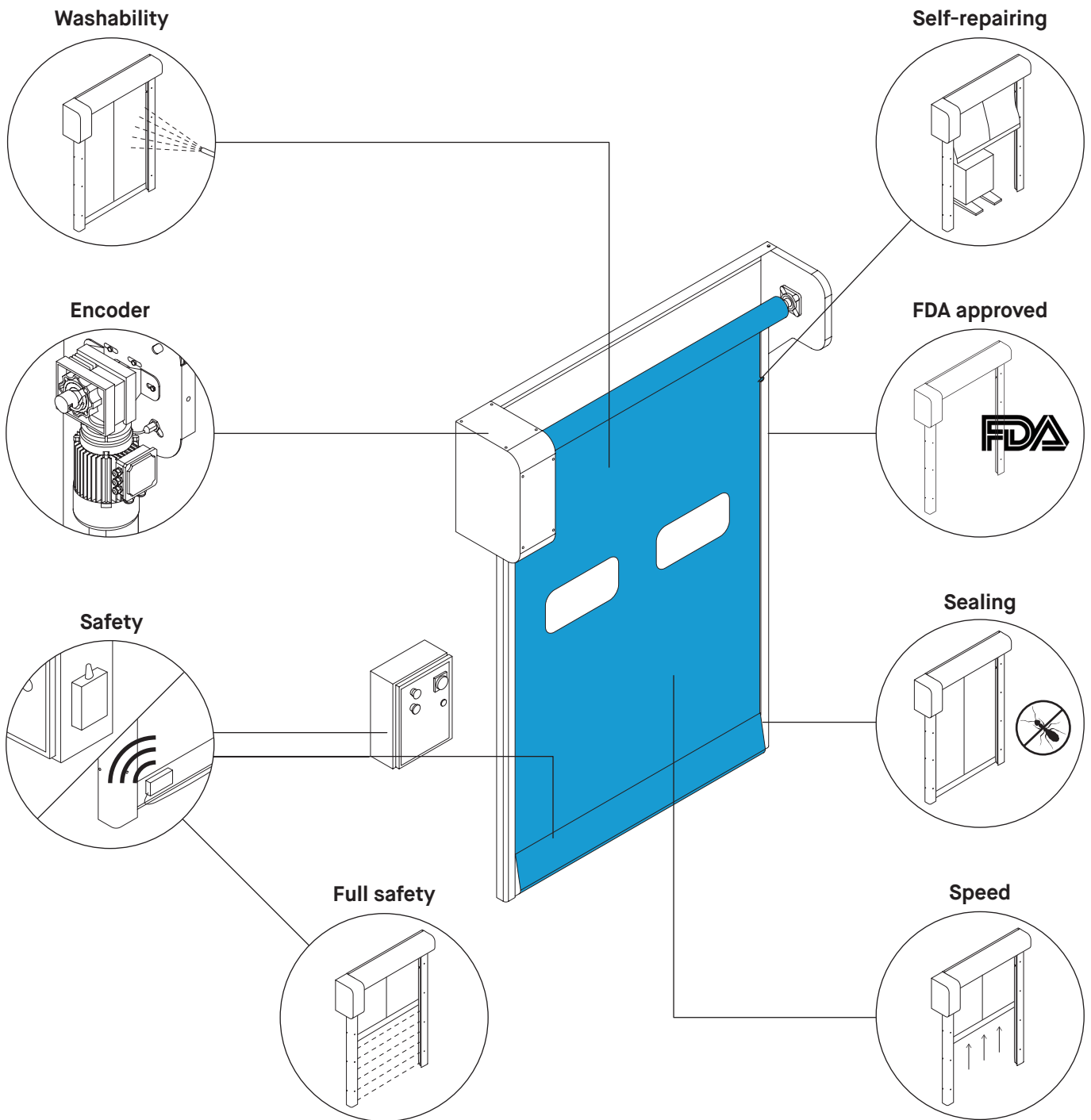


Dynamicroll® Food PE



High Speed Door with self-repairing curtain vertical rolling moved by three-phase motor with inverter driver 400V, with opening and closing speed (opening up to 2,0m/s) and relevant ramps control. Speed and positioning are detected by digital encoder. Electro-brake for stanchioning and manual devices to move the door in case of supply brake-down. The safety system is in conformity to EN13241-1, by standard safety devices for force limitation, in case of impact in closing.

Post made by polyethylene approved for food uses by FDA, covers and fitting accessories in stainless steel AISI 304 (standard) or AISI 316. Suitable for foods production plants

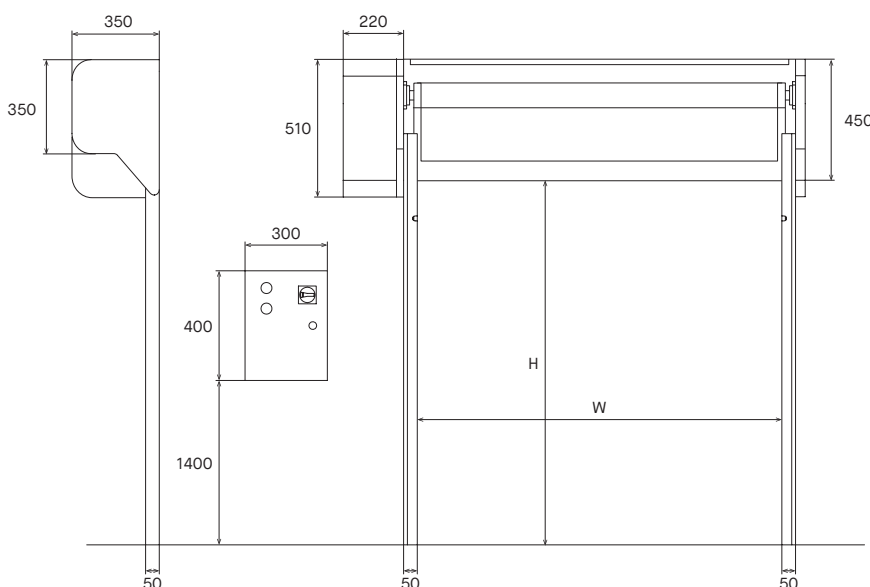
or similar environments. The special design prevents dirt deposits or processing waste, allowing easy cleaning of all parts. Sliding guides of the curtain in Polyethylene, designed for the self-repairing function and to reach the class 1 in terms of wind-load resistance (see technical features).

The curtain is made by synthetic fabric lacquered by PVC, with weight 1300g/m² thickness 1,3mm, self-extinguishing class 2. Optional curtain approved for food application weight 1,7kg/m² with FDA certification. Optional insulated curtain 3mm thickness and thermal transmittance 2,4W/m²K.

Technical features

Maximum dimensions	clear opening width	4500
	clear opening height	4500
Maximum speed	opening	up to 2,0m/s
	closing	up to 0,8m/s
Wind-load resistance	standard	NA
Curtain in polyester	thickness – weight	1,3mm – 1300g/m ²
Food curtain	optional	FDA approved
Insulated curtain	optional	thermal transmittance 1,4W/m ² K
Curtain Windows	standard	2 window rows
	optional	windows or vision panels
	optional	mesh windows
Mechanical frame	posts	polyethylene FDA approved
	brackets and cover	stainless AISI 304
Motor position	standard	lateral (left or right)
Motor power	three phase	0,75kW – 50/60Hz
Control unit	standard	inverter 400V – 50/60Hz
	optional	inverter 230V – 50/60Hz
Control unit housing	standard	ABS
	optional	Stainless steel AISI 304
Protection degree	motor – control unit	IP65
Position transducer	standard	digital encoder
Safety devices	presence sensor	infrared photocell
	curtain jamming	optical sensor
	contact edge	resistive wireless edge
	integral system	progressive photocells barrier
Emergency opening	standard	manual rod
	optional	counterweight
	optional	UPS
	optional	pedestrian T curtain cut
Durability	total life (EN 12604)	1 000 000 cycles

Dimensions drawings



Automation accessories

- Additional push button
- Key pad
- Pull cord switch
- Key switch selector
- No touch sensor
- Remote radio system
- Microwave radar
- Induction loop
- Flashing lamp
- Traffic light